

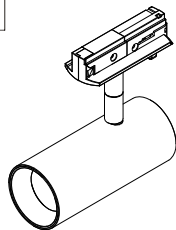
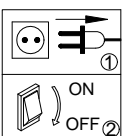
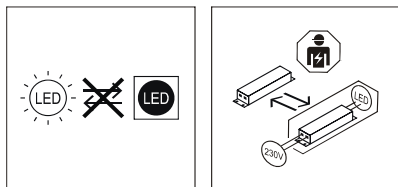
# MALAGA 6W MALAGA 9W

For indoor use only.

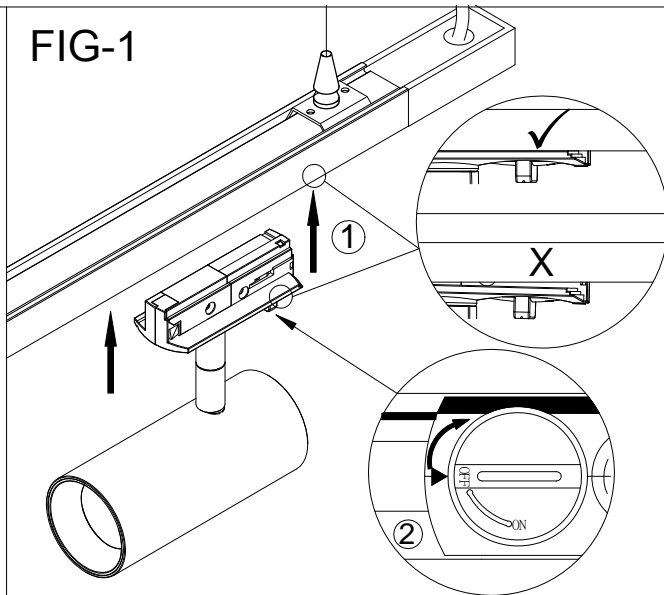
The light source of this luminaire is not replaceable; when the light source reaches its end of life the whole luminaire shall be replaced.



Caution, risk of electric shock.



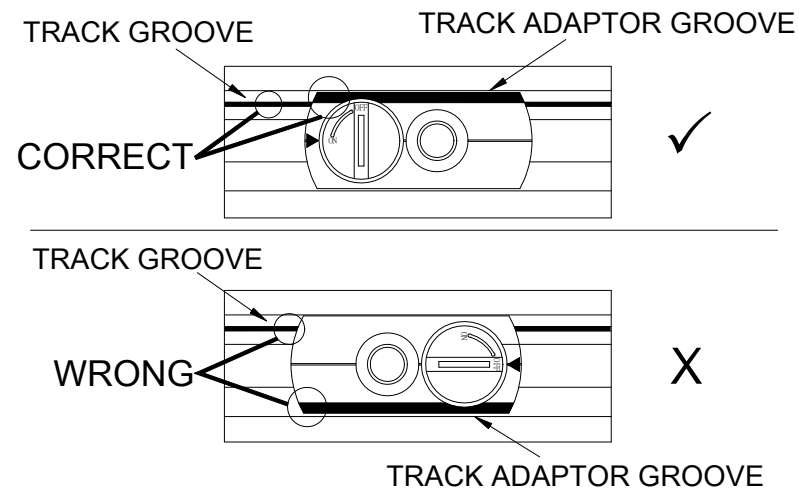
## FIG-1



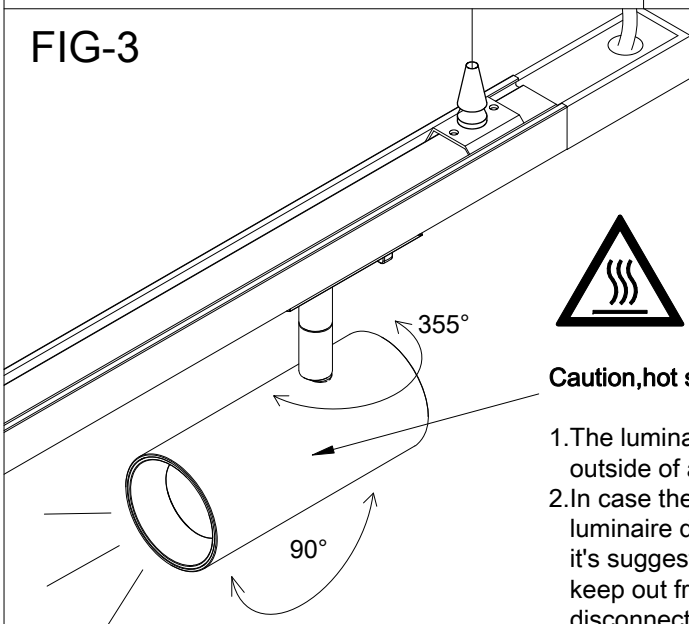
Switch to "OFF" aligned with the "▶" at first, put the adaptor into the track. Then turn the knob to the position which "ON" aligned with the "▶".

## FIG-2

Please make sure that the "Groove" on the section of track lines up with the "Groove" on the track adaptor - failure to do so can potentially damage the track adaptor and void any warranty.



## FIG-3



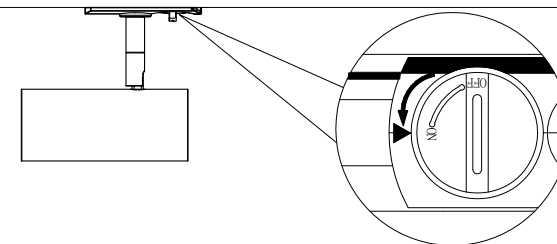
Caution, hot surface

1. The luminaire has only to be installed outside of arms reach.
2. In case there's need to adjust the luminaire during working condition, it's suggested to wear gloves to keep out from heat, or proceed after disconnection the power and the whole body cooling down.



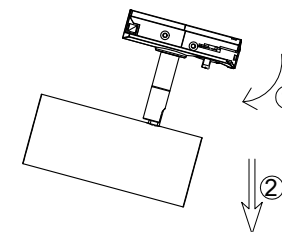
## PS: Step for Removing Luminaires

Turn the knob to the position which "OFF" aligned with the "▶".



1.

Take off the Adaptor from the track slantingly.



2.